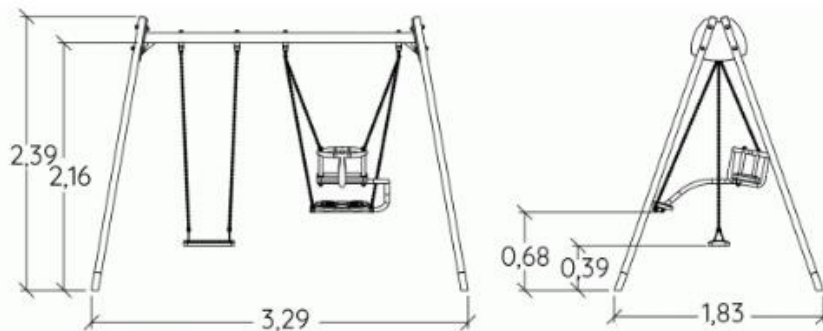


Cradle Swing

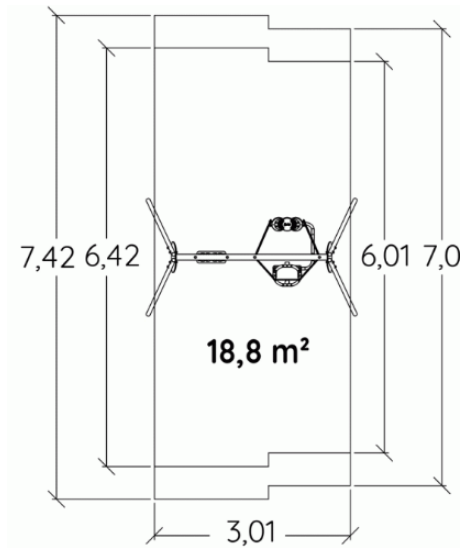
This will have 1 cradle and a Parent and Child Seat. £1,950.00



Registered address: Office 3, Red House Barns, Ashbocking, Ipswich, Suffolk, IP6 9LD

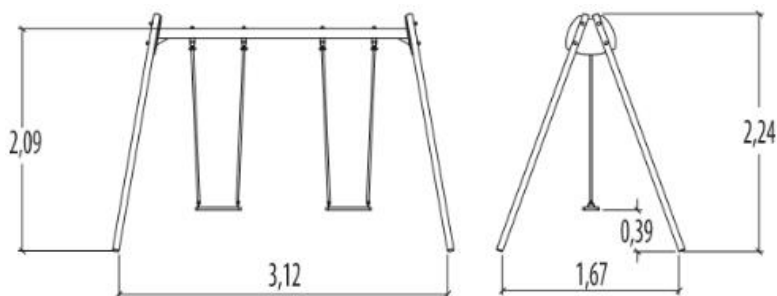
Company number: 10193980 VAT number: 242 4516 28

Eastern Landscapes & Fencing is a division of Eastern Play Services Ltd



Age range: 1+
 Number of users: 2 users
 FFH: 1.37 m

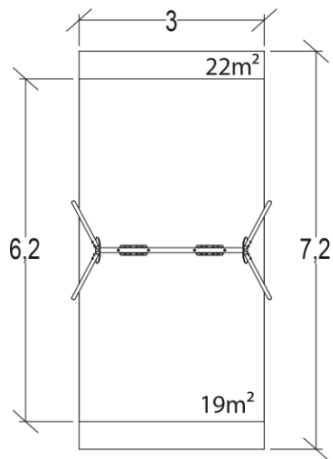
Flat Seat Swing £1,417.69



Registered address: Office 3, Red House Barns, Ashbocking, Ipswich, Suffolk, IP6 9LD

Company number: 10193980 VAT number: 242 4516 28

Eastern Landscapes & Fencing is a division of Eastern Play Services Ltd



Age range: 2+
 Number of users: 2 users
 FFH: 1.20 m

Basket Swing £2,958.00

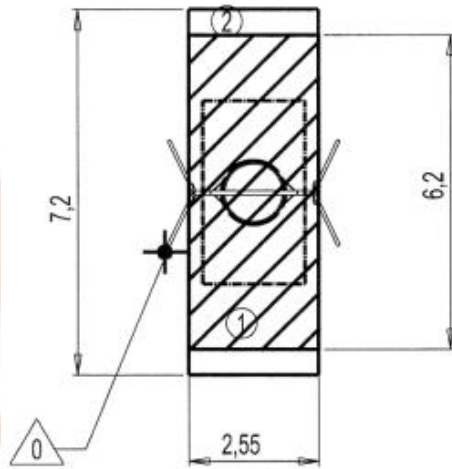
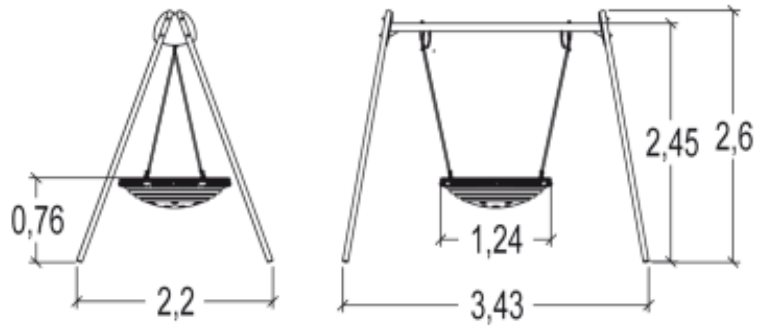


Registered address: Office 3, Red House Barns, Ashbocking, Ipswich, Suffolk, IP6 9LD

Company number: 10193980 VAT number: 242 4516 28

Eastern Landscapes & Fencing is a division of Eastern Play Services Ltd





Age range: 2+
 Number of users: 5 users
 FFH: 1.55 m

EPS

Registered address: Office 3, Red House Barns, Ashbocking, Ipswich, Suffolk, IP6 9LD

Company number: 10193980 VAT number: 242 4516 28

Eastern Landscapes & Fencing is a division of Eastern Play Services Ltd

Four Tower Unit with Bridges £14,670.00

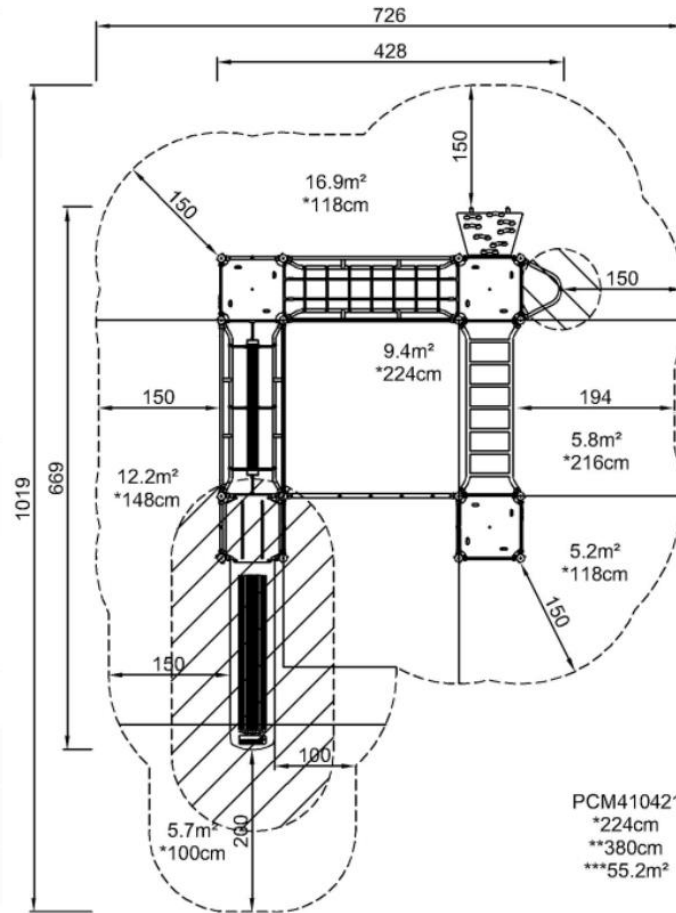
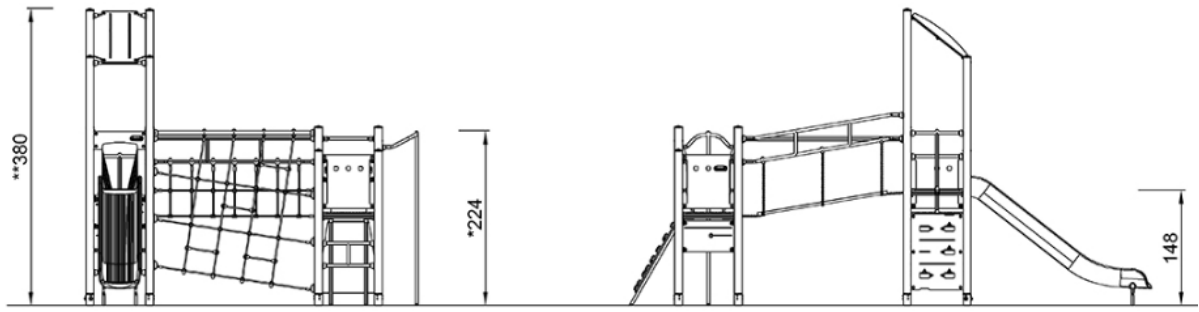


Registered address: Office 3, Red House Barns, Ashbocking, Ipswich, Suffolk, IP6 9LD

Company number: 10193980 VAT number: 242 4516 28

Eastern Landscapes & Fencing is a division of Eastern Play Services Ltd

Stems



PCM410421
*224cm
**380cm
***55.2m²

Registered address: Office 3, Red House Barns, Ashbocking, Ipswich, Suffolk, IP6 9LD

Company number: 10193980 VAT number: 242 4516 28

Eastern Landscapes & Fencing is a division of Eastern Play Services Ltd





Plank bridge

Physical: balancing across the plank develops the vestibular system as well as cross coordination.

Social-emotional: passing other children takes co-operation and teaches children turn-taking skills.



Fireman's pole

Physical: coordination is supported when going down, as well as arm and core muscles. Landing strengthens bone density, which is built for life in early childhood.

Social-emotional: turn-taking and risk-taking.

Cognitive: young children develop their understanding of space, speed and distances when gliding down fast.



Slide

Physical: sliding develops spatial awareness and a sense of balance. Furthermore, the core muscles are trained when sitting upright going down.

Social-emotional: empathy stimulated by turn-taking.



Rapella

Physical: supports cross coordination, proprioception and sense of space. Leg and core muscles are used intensely. Upper body muscles are developed when children pull themselves upwards in the rope.

Social-emotional: turn-taking and self-regulation, both important life skills.



Climbing wall

Physical: climbing here develops cross coordination, which supports cross-modal perception, necessary for other skills such as reading.



Climbing net

Physical: children develop cross-body coordination and muscle strength. The asymmetry of the net challenges the children's climbing and crawling through.

Social-emotional: the big meshes allow for more children seated together, sharing.

Age group:

4+

Dimensions LxWxH:

428 x 669 x 380 cm

Key User Group:

4 - 12

Play capacity (users):

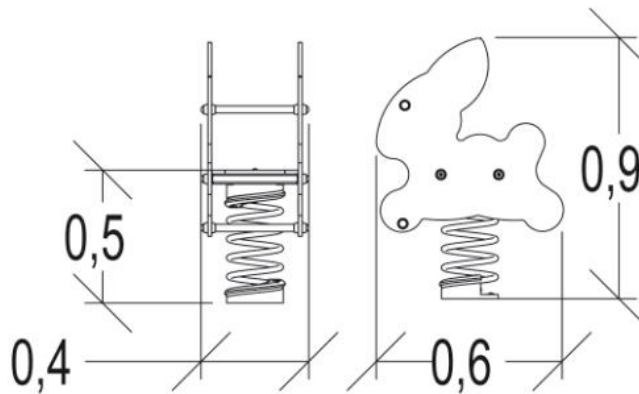
26

Springer £903.49

Registered address: Office 3, Red House Barns, Ashbocking, Ipswich, Suffolk, IP6 9LD

Company number: 10193980 VAT number: 242 4516 28

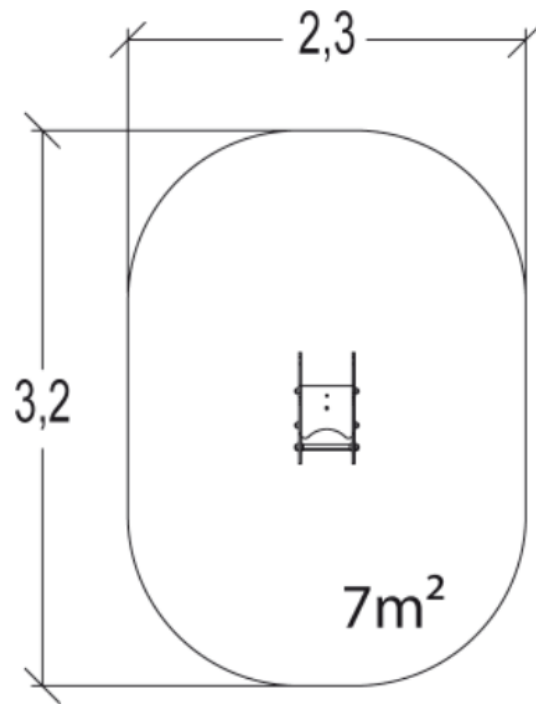
Eastern Landscapes & Fencing is a division of Eastern Play Services Ltd



Registered address: Office 3, Red House Barns, Ashbocking, Ipswich, Suffolk, IP6 9LD

Company number: 10193980 VAT number: 242 4516 28

Eastern Landscapes & Fencing is a division of Eastern Play Services Ltd



Age range: 2 - 8
 Number of users: 1 user
 FFH: 0.60 m

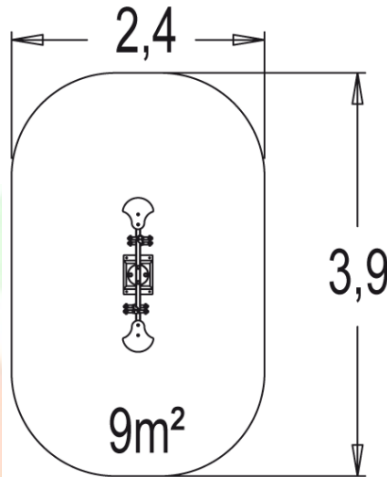
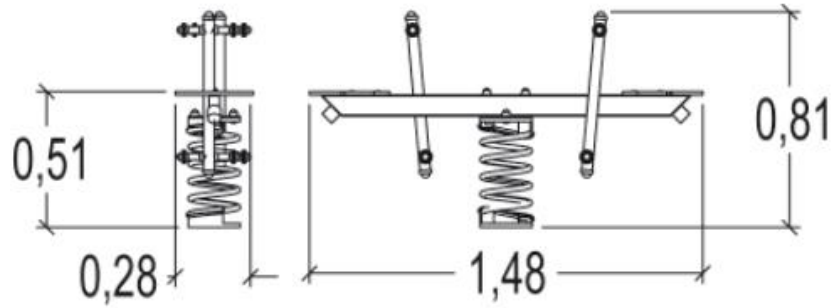
See Saw £956.37



Registered address: Office 3, Red House Barns, Ashbocking, Ipswich, Suffolk, IP6 9LD

Company number: 10193980 VAT number: 242 4516 28

Eastern Landscapes & Fencing is a division of Eastern Play Services Ltd



Age range: 2+
 Number of users: 2 users
 FFH : 0.70 m

Multi spinner £5,140.00

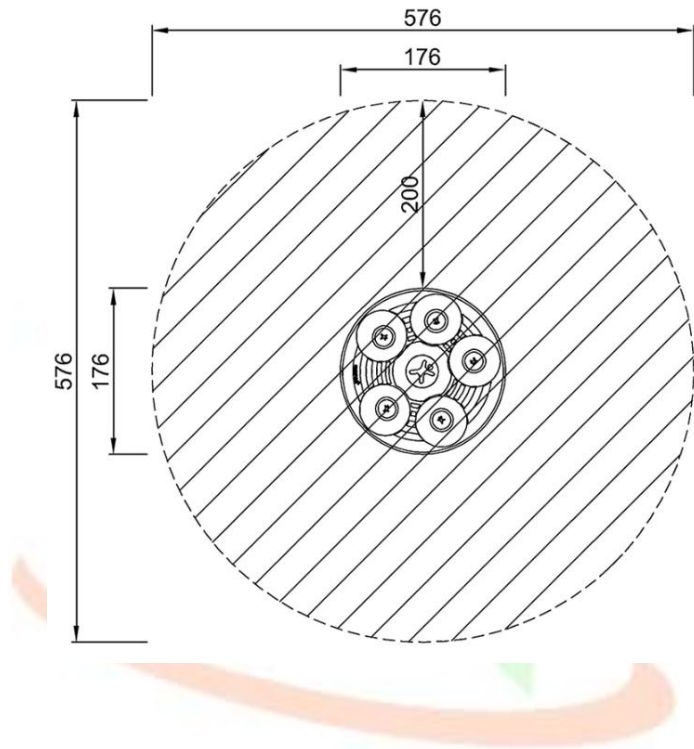
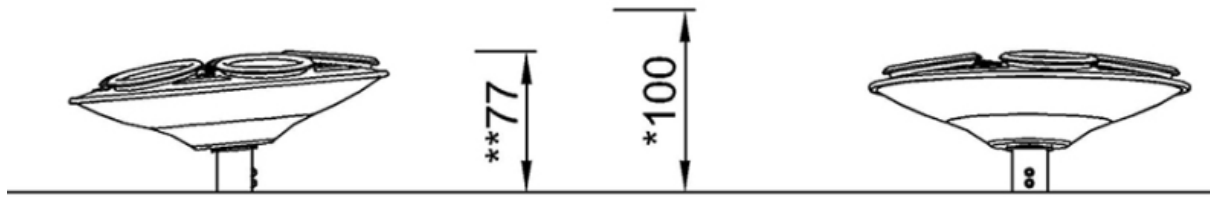


Registered address: Office 3, Red House Barns, Ashbocking, Ipswich, Suffolk, IP6 9LD

Company number: 10193980 VAT number: 242 4516 28

Eastern Landscapes & Fencing is a division of Eastern Play Services Ltd





Differently colored bowls

Social-emotional: encourages children to negotiate which color seat they want, turn-taking.

Cognitive: supports rules understanding and rules games: children will find reasons for choosing the one or the other color.



Spacious surface

Physical: standing or sitting here trains agility, balance and coordination, the motor skills ABCs. Jumping off builds bone density.

Social-emotional: using the surface promotes socializing and turn-taking skills.



Tilted position rotation

Physical: coordination and balance are supported when spinning. The leg, core and arms are trained when pushing, pulling or when coordinating the Multispinner into motion. When jumping on and off, the bone density is strengthened. Bone density for life is mainly build up in the early years.

Social-emotional: cooperation, consideration and turn-taking. Wide span of user ages and abilities.

Cognitive: logical thinking, figuring out how to make rotation when seated, speeding up or slowing down the spin.

Registered address: Office 3, Red House Barns, Ashbocking, Ipswich, Suffolk, IP6 9LD

Company number: 10193980 VAT number: 242 4516 28

Eastern Landscapes & Fencing is a division of Eastern Play Services Ltd

1. Labour £8,400.00
2. Concrete £800.00
3. 3 x 8-yard Skips £1,200.00
4. Machinery £950.00
5. Site Security & Welfare £834.00, 4-weeks Hire
6. Independent Post Inspection £450.00

Total: £48,323.65

VAT: £9,664.73

Sub To: £57,988.38

This quotation is valid for 30 days from the date given above and if acceptable we would require written confirmation or a purchase order number.

Yours sincerely,

Eastern Play Services

Contracts Manager - Ryan Finch.

The logo for Eastern Play Services (EPS) features a stylized figure with arms raised in a 'V' shape, colored in shades of orange and green. Below the figure, the letters 'EPS' are written in a large, bold, orange font.

Terms & Conditions

'The Company' referred to within these terms includes 'Eastern Play Services Ltd' or it's trading division 'Eastern Landscapes and Fencing'.

Quotation

The quotation provided is valid for a period of 30 days. Acknowledgement and acceptance of the quoted works proposed, is made by the client accepting the agreed works within the 30-day period, at which time the client will be bound by all terms and conditions set out in this quote and the quote becomes a legally binding contract for works. If, during the contract, additional works are requested by the client or necessary works are identified that were impossible to identify at the point of survey, an additional quote will be proposed and works continued after acceptance.

Registered address: Office 3, Red House Barns, Ashbocking, Ipswich, Suffolk, IP6 9LD

Company number: 10193980 VAT number: 242 4516 28

Eastern Landscapes & Fencing is a division of Eastern Play Services Ltd

Cancellation of works within seven days of an agreed start date may incur expenses to include: administration charge of £200+VAT, labour at a day rate of £260 + VAT and reimbursement in full for any materials purchased.

The Company is at liberty to request a deposit to cover the costs of the materials if these are considered to be of high value; this is to instil trust and to aid our cashflow. The Company may also request an interim payment followed by a final payment on completion, again to aid The Company's cashflow. In accordance to this, should work be cancelled within 14 days of an agreed start date, deposits will be kept to cover loss of work costs.

Please Note from March 2021: Due to the current climate there has been rapid price increases and material shortages; as a result, we MAY need to review our quotation before works commence. Quotations will not be revised without agreement. This is temporary measure that we hope remove as soon as production and delivery settles.

General

- Extra work undertaken over and above the main contract will incur further costs. The Company may vary the contract price set out in the original agreed quotation where services provided differ from or in addition to those set out in the agreed quotation, either at the specific request of the client or to the fact The Company have been required to complete additional work which was not foreseeable or anticipated at the time of offering the agreed quote or due to fluctuating market prices of materials.
- Maintenance to the works has not been allowed for unless specifically included within the quotation.
- It will be the responsibility of the client to advise of the positioning of all mains services. The Company accepts no responsibility for damage caused to mains services not notified.
- Timber is a natural product and is therefore susceptible to certain changes in an outdoor environment. Extremes of temperature or weather conditions will cause a reaction. Certain conditions may cause products to split, lose shape or warp. This is natural and in all but the most extreme cases, normal shape will be resumed. Timber will contain knots and sap, the timber may swell, shrink and/or warp which can cause splitting to occur. This is to be expected and is not a defect. The Company cannot be held liable and/or responsible to exchange goods or to refund monies in these events. This meets with British Standards: ENISO9000;1722, parts: 4,5,6,7 and 14 - No. 3470
- We reserve the right to use any drawings, photographs or plans undertaken by us for any future publications or displays whilst ensuring the anonymity of the respective client.
- All materials and machinery left on site during works become the occupier's responsibility once employees have left the site.
- The Company's liability to the Buyer whether for any breach of the Contract or otherwise shall not, in any event, exceed the Contract price and the Company shall be under no liability for any consequential or indirect loss suffered (including but not limited to loss of profits) or liability to third parties incurred by the Client.

Weather conditions

- Landscaping operations are very dependent on the weather and season. We endeavour to carry out the works at the appropriate time but accept no liability for delays caused by adverse weather conditions.
- Work undertaken out of the season or in unsuitable weather conditions will be on written instructions only, so that suitable provision can be made, or it will be at the Client's risk.
- In extreme changes of weather conditions, certain plants and materials, such as terracotta, some natural stone and other paving can be affected, suffering damage if not protected. The client should take the necessary precautions to prevent damage as this is out of our control.

Specific to Landscape Division

- Watering, where applicable for landscape works, has not been allowed for within our quotation and once the contract has been completed becomes the responsibility of the client.

Registered address: Office 3, Red House Barns, Ashbocking, Ipswich, Suffolk, IP6 9LD

Company number: 10193980 VAT number: 242 4516 28

- Nursery stock supplies are not inexhaustible. Should any plant be unavailable, we reserve the right to negotiate substitutes with the Client.
- We accept no responsibility for the defects over and above failing to break out into leaf unless a formal maintenance contract is entered into.
- To keep within the guarantee of various water pump manufacturers and to prolong the life expectancy, the Client is responsible to follow manufacturers guidelines, especially winter care and protection. The Company will replace a defective pump within 3 months of installation after which the client must deal with the manufacturer direct if still within the guarantee period.

Site Surveys

All site surveys, where possible, will be carried out by EPS or an elected body/contractor on behalf of EPS. Where the client provides their own surveys, measurements or other information in respect of the project, EPS will not be held responsible or accountable for incorrect information and reserve the right to increase the quote for any additional works as a result of this information being incorrectly provided.

Client responsibility

It is the responsibility of the client to ensure that all measures are in place to allow for uninterrupted access to the site for the contractor during normal work hours (unless otherwise agreed in writing), all official bodies have been informed and any necessary permission and consents obtained (schools, local authorities, landlords, councillors) which may be required before commencement of any works.

Site surveys are, by necessity, completed ahead of works commencing. Any site conditions agreed at time of survey remain the responsibility of The Client. Failure to prepare the grounds in accordance with survey ahead of commencement will incur additional costs including but not limited to: delayed labour charges of £260.00 per man per day, any materials already ordered or supplied, and administrations fees of £200+VAT.

Payment

- Payment terms are strictly 30 days from date of invoice (unless otherwise agreed) by BACS payment only, we do not accept cheques. Invoices will be presented on completion of all works and any agreed inspection by the client or appointed contractor/client inspector prior to sign off. Inspection and subsequent sign off will take place no more than 2 working days following notice of completion of works. Any problems will be notified in writing within this timescale.
- The payment terms for the down payment for materials (if applicable) will be requested 'by return', 7 days or 30 days from the proforma invoice date; this is dependent on lead times and scheduled start dates.
- If payment is not made on the Due Date then the outstanding debt shall bear interest at the rate of 8% per annum above the Bank of England base rate, calculated pro rata during the period from the Due Date until actual payment (as per statutory rates set by late payment legislation of 16th March 2013).
- The Company reserve the right to a late payment administration charge of £200.00 + VAT for chasing late payments, and any expenses incurred if further action is required, this includes but is not limited to legal advice, court fees and debt recovery expenses.
- You, The Client, are responsible for and agree to reimburse us for all claims, fees, fines, penalties and other liability incurred by us (including costs and related expenses) that were caused by or arising out of late or non-payment.
- If any Goods delivered by the Company prove to be defective the liability of the Company shall (so far as it is prevented by law) be limited to replacing the defective Goods or refunding the money to the Customer for the said Goods and the Company shall not be liable for any economic or consequential loss suffered by the customer in respect of such defect.

Registered address: Office 3, Red House Barns, Ashbocking, Ipswich, Suffolk, IP6 9LD

Company number: 10193980 VAT number: 242 4516 28

Eastern Landscapes & Fencing is a division of Eastern Play Services Ltd

- Title and ownership of the materials and equipment will not pass until final payment is made. The Company can recover any materials, tools or hired items in the event of non-payment. The customer agrees to allow access to the site for this purpose.
- The Company reserves the right to withdraw from a site if the contract payment schedule is not adhered to as prescribed by The Housing Grants, Construction and Regeneration Act. Any subsequent delay will not result in any liability to The Company. Once we withdraw from site for non-payment return will be our convenience and in consideration of other projects or works being undertaken in the interim and requiring completion.
- The Company shall not be liable for failure to deliver the Goods for any reason whatsoever outside the reasonable control of the Company including, without limitation to the generality of the foregoing, industrial action, war, storm, fire, explosion, flood, governmental actions or regulation, act of God, riots, strikes, lock-outs, or non-availability of stocks or materials. Any failure of this type shall not affect the obligation to pay for Goods already delivered.



Registered address: Office 3, Red House Barns, Ashbocking, Ipswich, Suffolk, IP6 9LD

Company number: 10193980 VAT number: 242 4516 28

Eastern Landscapes & Fencing is a division of Eastern Play Services Ltd

